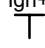
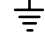


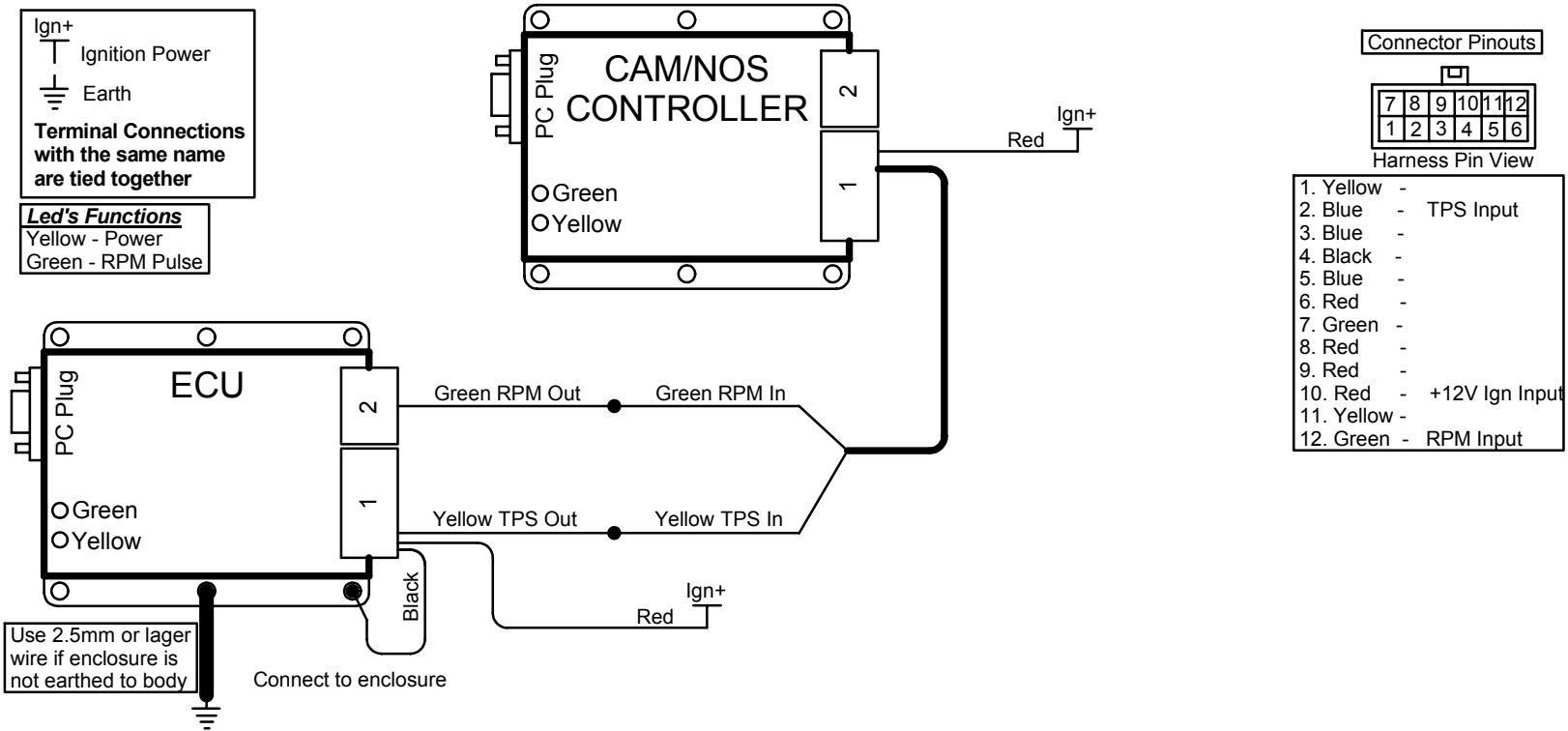
# E28 Wiring

Last Changed: 16/11/2012

Drawing Ver: 1.0

Ign+  
 Ignition Power  
 Earth  
**Terminal Connections with the same name are tied together**

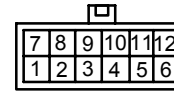
**Led's Functions**  
 Yellow - Power  
 Green - RPM Pulse



Use 2.5mm or larger wire if enclosure is not earthed to body

Connect to enclosure

## Connector Pinouts



Harness Pin View

- 1. Yellow -
- 2. Blue - TPS Input
- 3. Blue -
- 4. Black -
- 5. Blue -
- 6. Red -
- 7. Green -
- 8. Red -
- 9. Red -
- 10. Red - +12V Ign Input
- 11. Yellow -
- 12. Green - RPM Input